

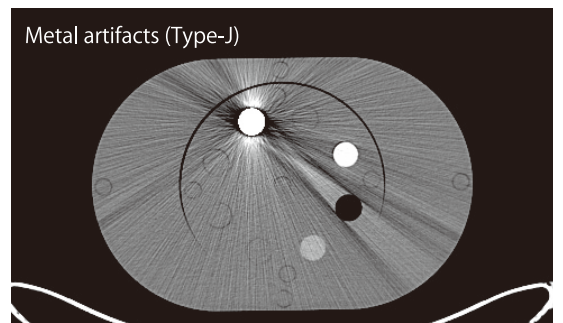
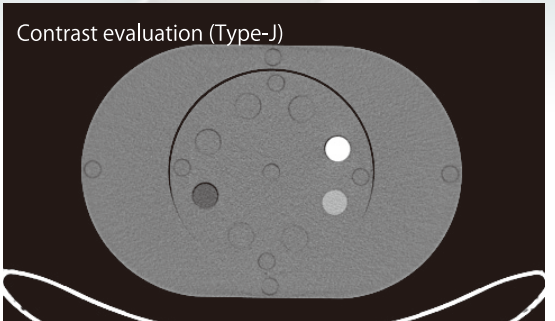
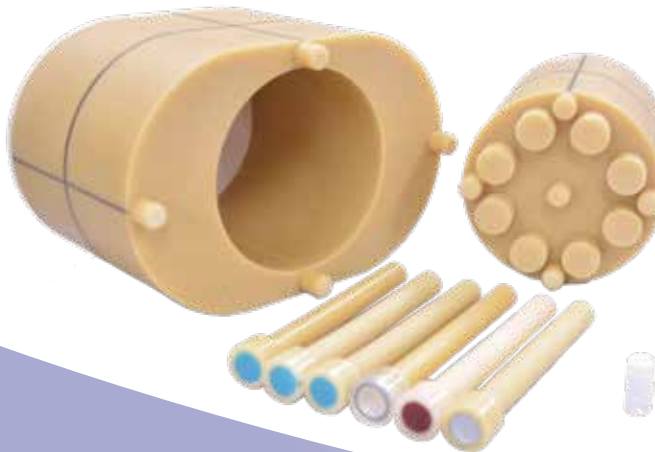
PH-75

# Multi Energy CT Quality Assurance Phantom

Type-I

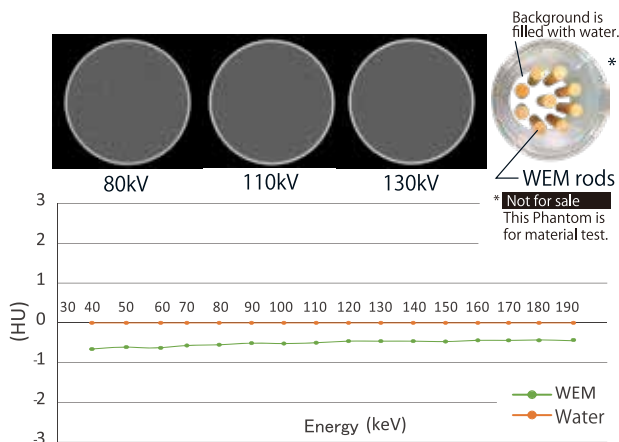


Type-J

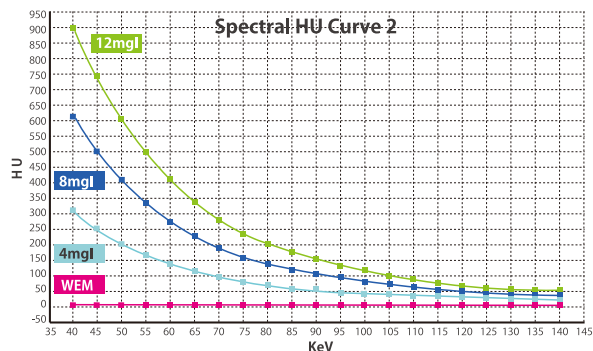


# Multi Energy CT QA Phantom with innovative WEM (Water Equivalent Material)!

- WEM shows very close-to-water HU under wide range of radiation energy; it is to the extent that WEM rods in the water-filled container are invisible in CT images and cannot be differentiated from water.



- WEMphantom rods infused with different concentrations of iodine exhibit realisticattenuation of contrast enhanced blood vessels, and thus capable to serve as a substitute for human vessels with multiple energy CT scanners.



- Cylindrical holes in the phantoms are designed to accommodate pencil type ion chambers.

## Specifications

### ■ Evaluation Parameters

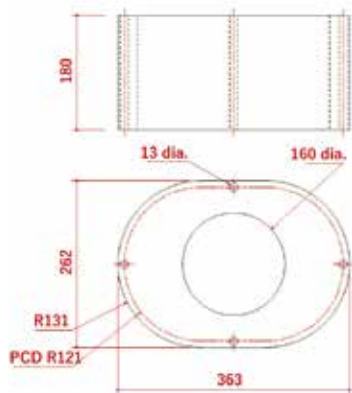
- Uniformity
- Signal-to-noise ratio (SNR)
- Image contrast
- CT dose index (CTDI)

### ■ Study application

- ME-CT image analysis protocol
- Metal artifact reduction
- Reduction of contrast media

### ■ Dimensions

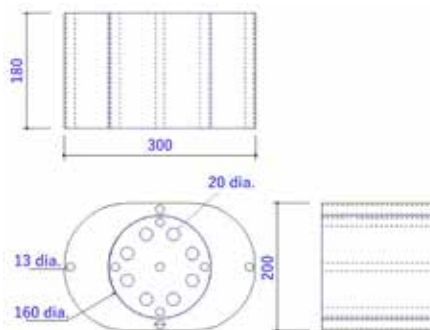
- Type-I



### ■ Set Includes

- Oval phantom
- Internal cylindrical phantom
  - Dosimeter hole (13mm dia. x 9)
- WEM (Water Equivalent Material) rods (20 mm rod x 8)
- Titanium rod (12 mm dia. x1)
- Contrast evaluation rods (20 mm dia. rod x 3: Iodine density; 4 mg/ml, 8 mg/ml, 12 mg/ml)

- Type-J



Specifications are subject to change without prior notice.

**KYOTO KAGAKU co.,LTD**

<http://www.kyotokagaku.com>  
[rw-kyoto@kyotokagaku.co.jp](mailto:rw-kyoto@kyotokagaku.co.jp)

### Hong Kong Representative Office

Level 60, One Island East,  
 18 Westlands Road, Island East, Hong Kong  
 +852-3978-1365 +852-3978-1199

### Worldwide Inquires and Ordering Head Office and Factories

15 KitaneKoya-cho, Fushimi-ku,  
 Kyoto, 612-8388, Japan  
 +81-75-605-2510 +81-75-605-2519

### European Representative Office

De-Saint-Exupery-Str.10,  
 60549 Frankfurt, Germany  
 +49-69-5060-28160 +49-69-5060-28170

All American regions  
**KYOTOKAGAKU AMERICA INC.**

<http://www.kkamerica-inc.com/>  
 info@kkamerica-inc.com  
\* United States only

3109 Lomita Boulevard, Torrance,  
 CA 90505-5108, USA

+1-310-325-8860  
 +1-310-325-8867