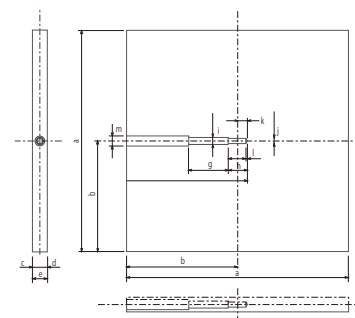
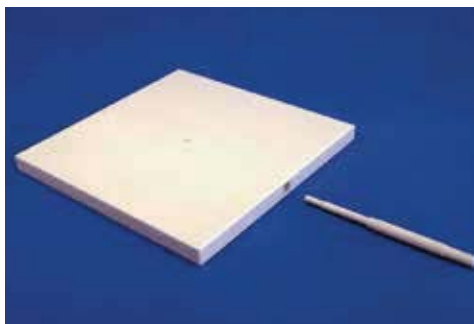
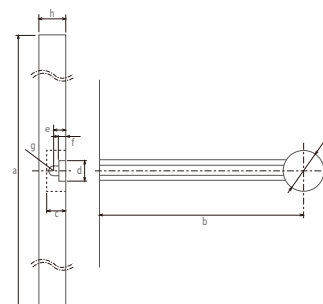


Tough Phantom Series

Chamber cavities to accommodate dosimeters can be prepared according to your order.

Specify your chamber's manufacturer and model number.

Let us have dimensional drawings of the chambers you are using to estimate the cost.



Therapy Body Phantom THRA-1

The Therapy Body Phantom THRA is a therapy planning phantom made of Tough Series human tissue substitutes. Sizes and spacing of dosimeter cavities and slice thickness may be custom ordered.



Supecificantions

Size: 90cm / 35.5 inch height

Slice thickness: 30mm / 1.2 inch

Dosimeter holes:

On each cross section, holes for glass dosimeters are located in lattice-like pattern of 30 x 30mm / 1.2 x 1.2 inch.

In each hole, a nylon pin is embedded.

Accessories: supporting frame

Optional parts: carrying cases